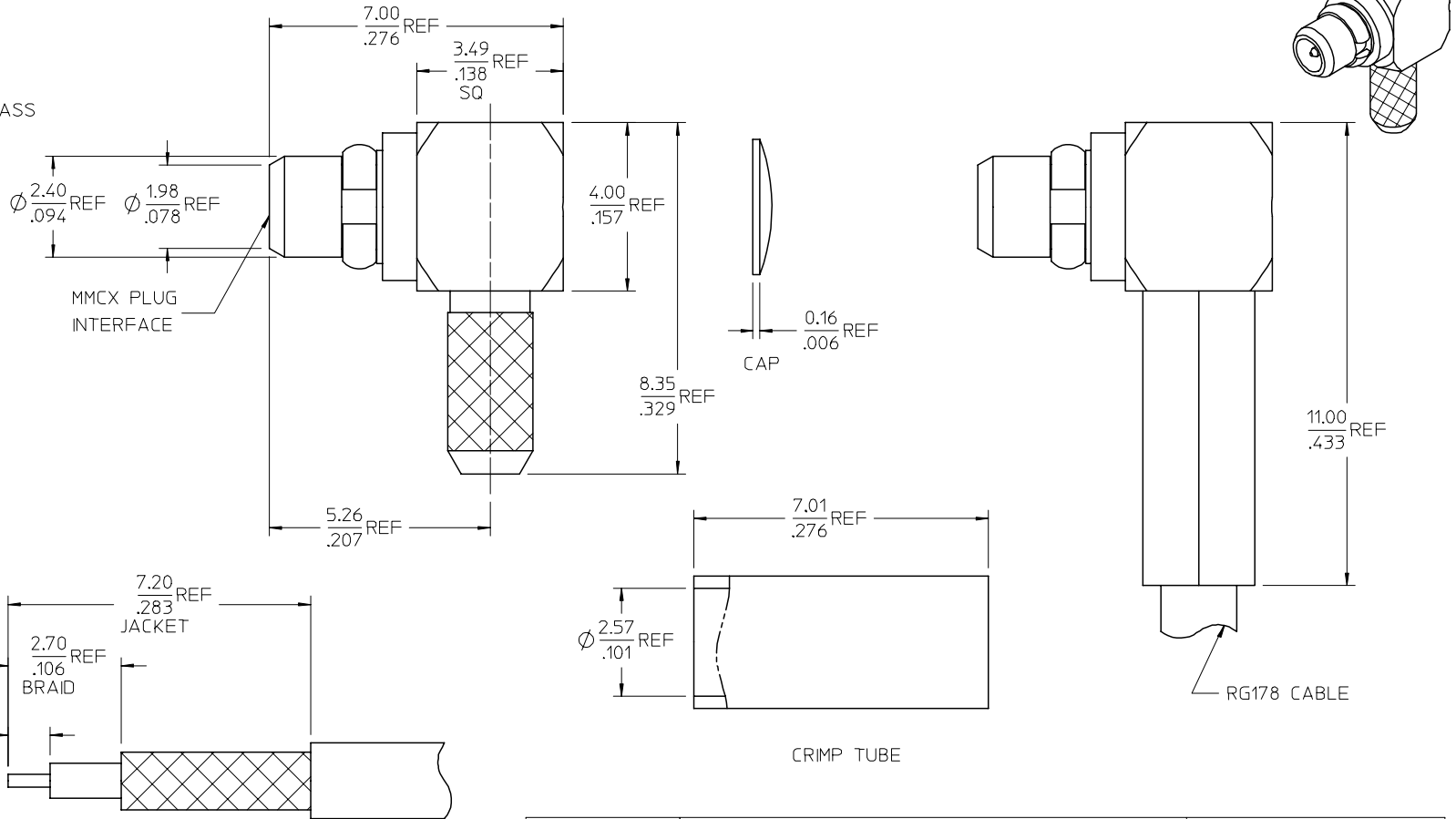


MATERIALS AND FINISHES

BODY BRASS
PLATED SEE TABLE

CENTER CONTACT BRASS
PLATED GOLD

INSULATOR TEFLON



RECOMMENDED STRIP DIMENSIONS
CRIMP USING .105 HEX

ES-73599-0000-015	INTERFACE
PS-89675-1930	ELECTRO/MECH PERFORM.
SPECIFICATION	DESCRIPTION

73415-0953	GOLD PER COMMERCIAL REQUIREMENTS	73415-0951, ONE PER BAG
73415-0952	NICKEL	BULK
73415-0951	GOLD PER COMMERCIAL REQUIREMENTS	BULK
73415-0950	GOLD PER MILITARY REQUIREMENTS	BULK
PART NO.	PLATING	PACKAGING

CHG: ADDED P/N
73415-0953 AND
PACKAGING TO TABLE
B2

REV
DESCRIPTION
APPR: JIM ENER 2007/08/29
CHKD: SHAH 2007/08/29
DRWN: FLAHERTY 2007/08/29
FC NO: URF2008-0120

QUALITY SYMBOLS

 GENERAL TOLERANCES (UNLESS SPECIFIED)
 4 PLACES ± .005 ± .005
 3 PLACES ± .005 ± .005
 2 PLACES ± .005 ± .005
 1 PLACE ± .005 ± .005
 ANGULAR ± 2°
 DRAFT WHERE APPLICABLE MUST REMAIN WITHIN DIMENSIONS

DIMENSION STYLE
MM/IN
DRAWN BY DATE
EDC 1999/01/27
CHECKED BY DATE
XXX 0000/00/00
APPROVED BY DATE
XXX 0000/00/00
MATERIAL NO.
SIZE C
SEE TABLE

SCALE
DESIGN UNITS METRIC
THIRD ANGLE PROJECTION
TITLE
MMCX PLUG, R/A FOR RG178
CABLE, 50 OHMS
MMCX-PC/RA
MOLEX INCORPORATED
DOCUMENT NO.
SD-73415-095
SHEET NO.
1 OF 1
THIS DRAWING CONTAINS INFORMATION THAT IS PROPRIETARY TO MOLEX INCORPORATED AND SHOULD NOT BE USED WITHOUT WRITTEN PERMISSION